

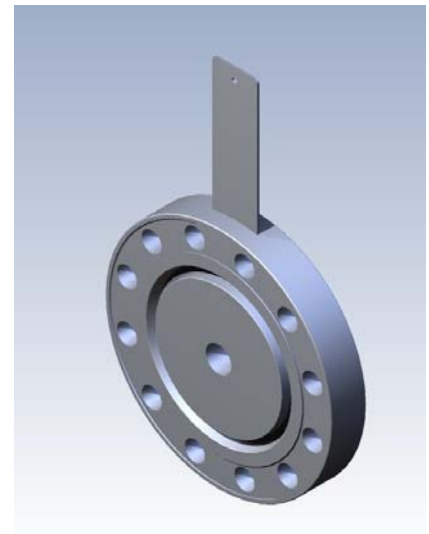
EMCO Restriction Plate Series IRB/6 for Insertion Between Compact Flanges

Principle

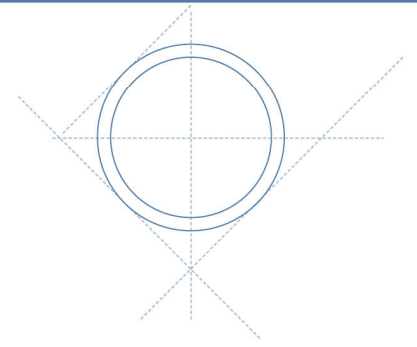
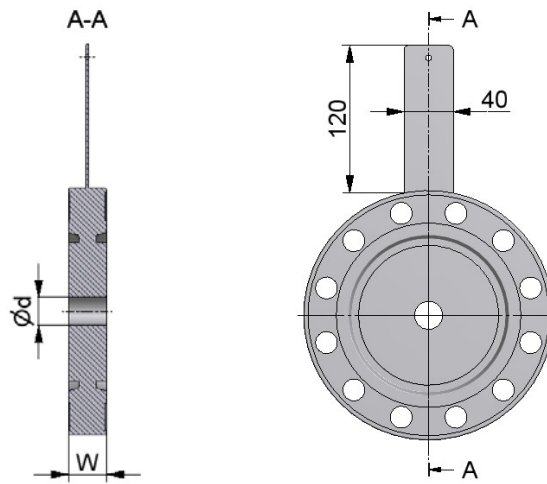
EMCO restriction plates are used to restrict the flow in order to prevent damage on pipe line equipment on the upstream side in blow down systems or to limit the flow / pressure to avoid damage on equipment on the downstream side. The plates can be calculated according to ISO 5167 as thin restriction orifice plates, or thick plates according to R.W. Miller/Ward-Smith.

Construction

Design and calculation standards	: ISO 5167, NORSOK L-005, Shell Flow Meter Engineering Handbook, R.W. Miller: Flow Measurement Engineering Handbook, etc.
Sizes	: 1/2" - 24", larger sizes on request.
Pressure rating	: 600 - 2500 lbs
Orifice plate shape	: Square edge concentric.
Thickness calculation	: NORSOK L-005 or ASME standard
Plate thickness	: According to NORSOK L-005 or the thickness is calculated to handle the differential pressure.
Discharge coefficient	: Determined by the thickness of the plate
Material	: AISI 316, Duplex, Monel, 6Mo, Titanium Hastelloy, Zirconium, others on request
Mounting style	: Between flanges with IX grooves according to L-005
Handle	: With name plate in AISI 316 with the following inscription : TAG no., serial no., pressure rating, inner pipe diameter, bore, material.
Documentation	: Material certificate according to EN 10204-3.1. Plate thickness calculation Noise calculation.



Dimensions



Size		Pressure rating lbs			
		600	900	1500	2500
½"	Width (w)	17	17	17	17
	OD	Ø93	Ø93	Ø93	Ø93
¾"	Width (w)	18	18	18	18
	OD	Ø98	Ø98	Ø98	Ø98
1"	Width (w)	19	19	19	19
	OD	Ø105	Ø105	Ø105	Ø105
1½"	Width (w)	22	22	22	22
	OD	Ø121	Ø121	Ø121	Ø121
2"	Width (w)	23	23	23	25
	OD	Ø136	Ø136	Ø136	Ø147
3"	Width (w)	26	26	29	33
	OD	Ø161	Ø161	Ø180	Ø209
4"	Width (w)	31	31	35	39
	OD	Ø203	Ø203	Ø224	Ø248
6"	Width (w)	37	40	45	52
	OD	Ø258	Ø263	Ø307	Ø322
8"	Width (w)	44	48	54	63
	OD	Ø312	Ø330	Ø365	Ø408
10"	Width (w)	51	56	65	76
	OD	Ø382	Ø397	Ø453	Ø485
12"	Width (w)	57	64	73	86
	OD	Ø450	Ø462	Ø508	Ø564
14"	Width (w)	61	68	79	92
	OD	Ø482	Ø497	Ø558	Ø618
16"	Width (w)	68	75	87	103
	OD	Ø547	Ø567	Ø626	Ø718
18"	Width (w)	74	82	96	113
	OD	Ø614	Ø633	Ø704	Ø780
20"	Width (w)	80	89	104	126
	OD	Ø664	Ø700	Ø778	Ø849
24"	Width (w)	91	102	120	149
	OD	Ø785	Ø830	Ø933	Ø1039